



75D LED A/R YELLOW 360° 24VDC

The Series 75 LED Navigation lights are applicable for all vessels ≥ 20 m in length. The LED Navigation lights fulfil all requirements of International Regulations for Preventing Collisions at Sea 1972 (COLREG) that are published by the International Maritime Organization (IMO) and local rules. Series 75 is available in Single version (Series 75), Double version (Series 75D), Single Arctic version (Series 75 Arctic) and Double Arctic version (Series 75D Arctic). Arctic versions are intended for use in low temperature areas, and includes a heating foil, on the inside of the glass lens, for de-icing. The Series 75 is based on the latest innovative LED and driver technology. Compared with conventional navigational lights and first generation LED navigational lights, the Series 75 set new standards in terms of lifetime, efficiency and reliability. The main and the back-up systems are compactly integrated in one housing. Series 75 navigation lights are available in black housing color.

Item Number	3675403000
GTIN	4036538642005
Stock status	C



Technical specifications

Electrical Data	
Mains current	0,3
Mains current reserve 1	X
Main Feed DC (V) Min	21.6
Main Feed DC (V) Max	31.2
Sec Feed DC (V) Min	21.6
Sec Feed DC (V) Max	31.2
Total consumption (W)	7
Optic	
Output angle (°)	360
Visibility (nm)	3
Material of diffuser	Borosilicate glass
Diffuser material design	Clear
Certificates	
Certification	DNV
Marine Approved	true

Technical Data	
Minimum ambient temperature (°C)	-25
Maximum ambient temperature (°C)	55
IP classification	X6/X7
Lantern type	Double
Light Technical Data	
Light source	LED
Number of lamps	2
Power consumption light source (W)	7
Lamp type	YELLOW
Light source 2	LED Yellow
Power consumption light source 2 (W)	7
Light source included	true
Lifetime	
L70 Median useful life LED Ta45 (hr)	100 000

Housing

Main body material	Polycarbonate
Surface treatment	Reinforced
Body colour	BL - Black
Main body colour name	Black

Dimensions

Length (mm)	248
Width (mm)	176
Height (mm)	222
Net weight (kg)	2.500008

Cable Inlet

Cable gland	M25-Polyamide
Number of cable glands	2
Max cable diameter (mm)	17
Min cable diameter (mm)	10

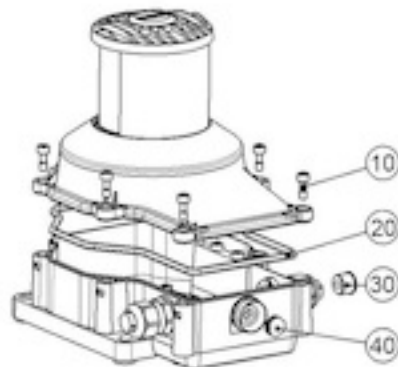
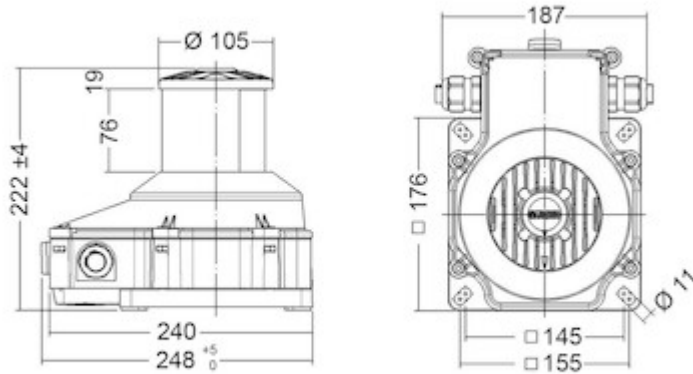
Logistic Data

Item gross weight (kg)	2.7174
------------------------	--------

Navigation

Vessel length	> 50 meters;20 - 50 meters
---------------	----------------------------

Images



Spare Parts		
Pos.		Spare part no.
10	Screws stainless steel;6 pcs.	E-2366502100
20	Gasket for housing,silicone;1 pc.	E-2367501100
30	Reduction insert for connection cable;2 pcs.	E-9060085000
40	Pressure equalisation with bush M20, polyamide;1 pc.	E-9060036300